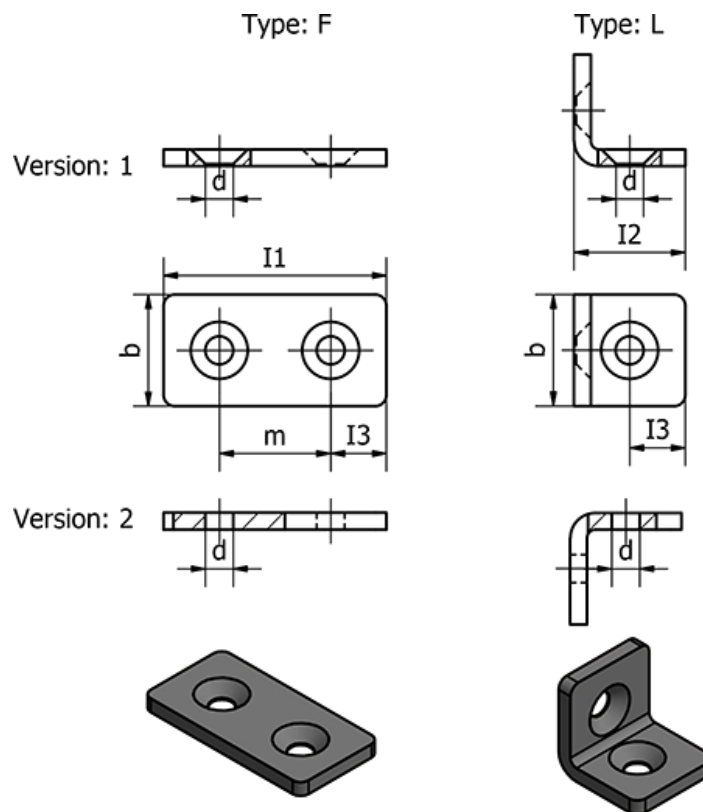


Article number: 209672020L2ZB

Description: E+G Angle pieces/Shackels - GN 967-20-20-L-2-ZB

## Measures



b	= 20
d	= 5.2
I1	= -
I2	= 20
I3	= 10
m	= 20
s	= 3
Weight (g)	= 15